

ELITE SOLDAS

Powermax 30



Tipo de consumível	Tipo de tocha	Corrente	Bico	Bocal/ Defletor	Capa	Eletrodo	Distribuidor de gás
Corte por arrasto	Portátil	30	220480	220569	220483	220478	220479

Powermax 45



Tipo de consumível	Tipo de tocha	Corrente	Bico	Bocal/ Defletor	Capa	Eletrodo	Distribuidor de gás
Corte por arrasto	Portátil	30	220480	220569	220483	220478	220479
		45	220671	220674	220713	220669	220670
Mecanizado	Máquina	45	220671	220673	220713 ou 220719 (ôhmico)	220669	220670
Goivagem	Portátil		220672	220675	220713	220669	220670
	Máquina						

ELITE SOLDAS

Powermax 65



Tipo de consumível	Tipo de tocha	Corrente	Bico	Bocal/ Defletor	Capa	Eletrodo	Distribuidor de gás
Corte por arrasto	Portátil	45	220941	220818	220854	220842	220857
		65	220819				
Mecanizado	Máquina	45	220941	220817	220854 ou 220953 (ôhmico)	220842	220857
		65	220819				
Desprotegidos	Máquina	45	220941	220955	220854	220842	220857
		65	220819				
FineCut	Portátil	45	220930	220931	220854 or 220953 (ôhmico)	220842	220947
	Máquina	45		220948			220857
Goivagem	Portátil		220797	220798	220854	220842	220857
	Máquina						

ELITE SOLDAS

Powermas 85



Tipo de consumível	Tipo de tocha	Corrente	Bico	Bocal/ Defletor	Capa	Eletrodo	Distribuidor de gás
Corte por arrasto	Portátil	45	220941	220818	220854	220842	220857
		65	220819				
		85	220816				
Mecanizado	Máquina	45	220941	220817	220854 ou 220953 (ôhmico)	220842	220857
		65	220819				
		85	220816				
Desprotegidos	Máquina	45	220941	220955	220854	220842	220857
		65	220819				
		85	220816				
FineCut	Portátil	45	220930	220931	220854 ou 220953 (ôhmico)	220842	220947
	Máquina	65		220948			220857
Goivagem	Portátil		220797	220798	220854	220842	220857
	Máquina						

ELITE SOLDAS

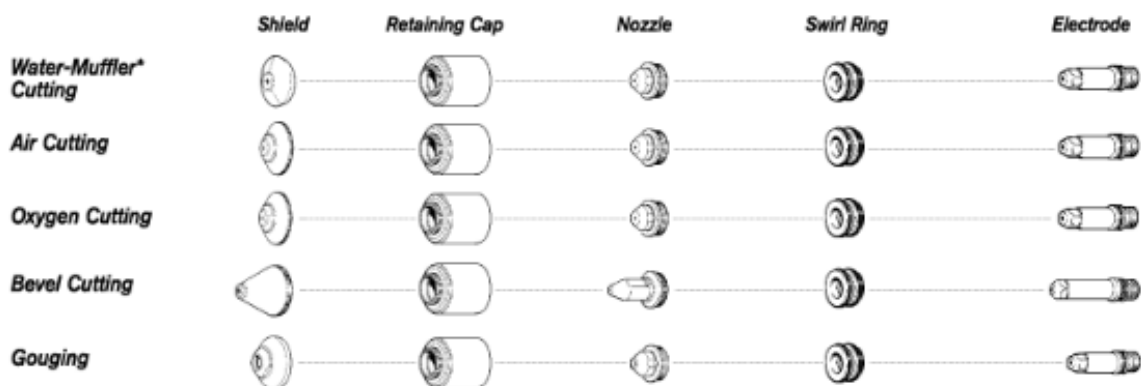
Powermax 1650



Tipo de consumível	Tipo de tocha	Corrente	Bico	Bocal/ Defletor	Capa	Eletrodo	Distribuidor de gás
Corte por arrasto	Portátil	40	120932	120929	120928	120926	120925
		60	120931				
		80	120927				
		100	220011	220065	220048	220037	220051
Mecanizado	Máquina	40	120932	120930	120928 ou 220061 (ôhmico)	120926	120925
		60	120931				
		80	120927				
		100	220011	220047	220048 ou 220206 (ôhmico)	220037	220051
Desprotegidos	Máquina	40	220006	120979	120928 ou 220061 (ôhmico)	120926	120925
		60	220007				
		80	120980				
		100	220064	120979	220048 ou 220206 (ôhmico)	220037	220051
FineCut	Portátil	30-50	220329	220325	120928 ou 220061 (ôhmico)	120926	220327
	Máquina	30-50		120979			120925
Goivagem	Portátil/Máquina	60-80	220059	120977	120928	120926	120925
		100	220063	120977	220048	220037	220051

ELITE SOLDAS

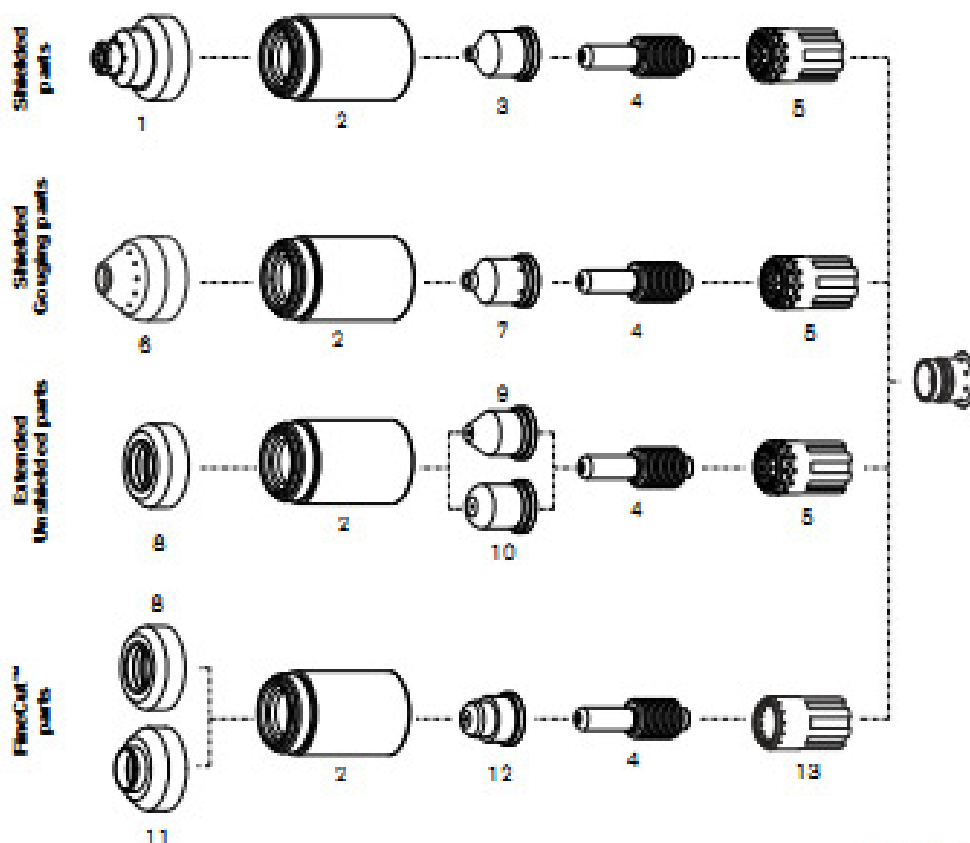
Max 200



APPLICATION	PLASMA GAS	CONSUMABLE DESCRIPTION	PART NUMBER				QUANTITY PER PACKAGE	
			200 AMP BEVEL	200 AMPS	100 AMPS	40 AMPS		
CUTTING	Oxygen	Electrode-Standard	120258	220021	120547	_____	5	
		Electrode-SilverPlus	_____	220083	_____	_____	5	
		Swirl Ring	120833	020604	020617	_____	1	
		Nozzle	120259	020605	020616	_____	5	
		Retaining Cap	020423	020423	020423	_____	1	
		Retaining Cap, Ohmic	120837	120837	120837	_____	1	
		Shield	120260	020424	020448	_____	1	
		(Water Muffler*)	Shield	_____	020566	020618	_____	1
	Air	Electrode	_____	220021	120547	120667	5	
		Swirl Ring	_____	020607	020607	020613	1	
		Nozzle	_____	020608	020611	020689	5	
		Retaining Cap	_____	020423	020423	020423	1	
		Retaining Cap, Ohmic	_____	120837	120837	120837	1	
		Shield	_____	020424	020448	020688	1	
		(Water Muffler*)	Shield	_____	020566	020618	_____	1
		Argon/Hydrogen	Electrode	_____	020415	020415	_____	5
	Swirl Ring		_____	020607	020607	_____	1	
	Nozzle		_____	020608	020611	_____	5	
	Retaining Cap		_____	020423	020423	_____	1	
	Retaining Cap, Ohmic		_____	120837	120837	_____	1	
Shield	_____		020602	020448	_____	1		
Nitrogen	Electrode	_____	020415	_____	_____	5		
	Swirl Ring	_____	020607	_____	_____	1		
	Nozzle	_____	020608	_____	_____	5		
	Retaining Cap	_____	020423	_____	_____	1		
	Retaining Cap, Ohmic	_____	120837	_____	_____	1		
	Shield	_____	020424	_____	_____	1		
	(Water Muffler*)	Shield	_____	020566	_____	_____	1	
	GOUGING	Air	Electrode	_____	220021	_____	_____	5
Swirl Ring			_____	020607	_____	_____	1	
Nozzle			_____	020615	_____	_____	5	
Retaining Cap			_____	020423	_____	_____	1	
Shield			_____	020485	_____	_____	1	
Argon/Hydrogen		Electrode	_____	020415	_____	_____	5	
		Swirl Ring	_____	020607	_____	_____	1	
		Nozzle	_____	020615	_____	_____	5	
		Retaining Cap	_____	020423	_____	_____	1	
		Shield	_____	020485	_____	_____	1	

ELITE SOLDAS

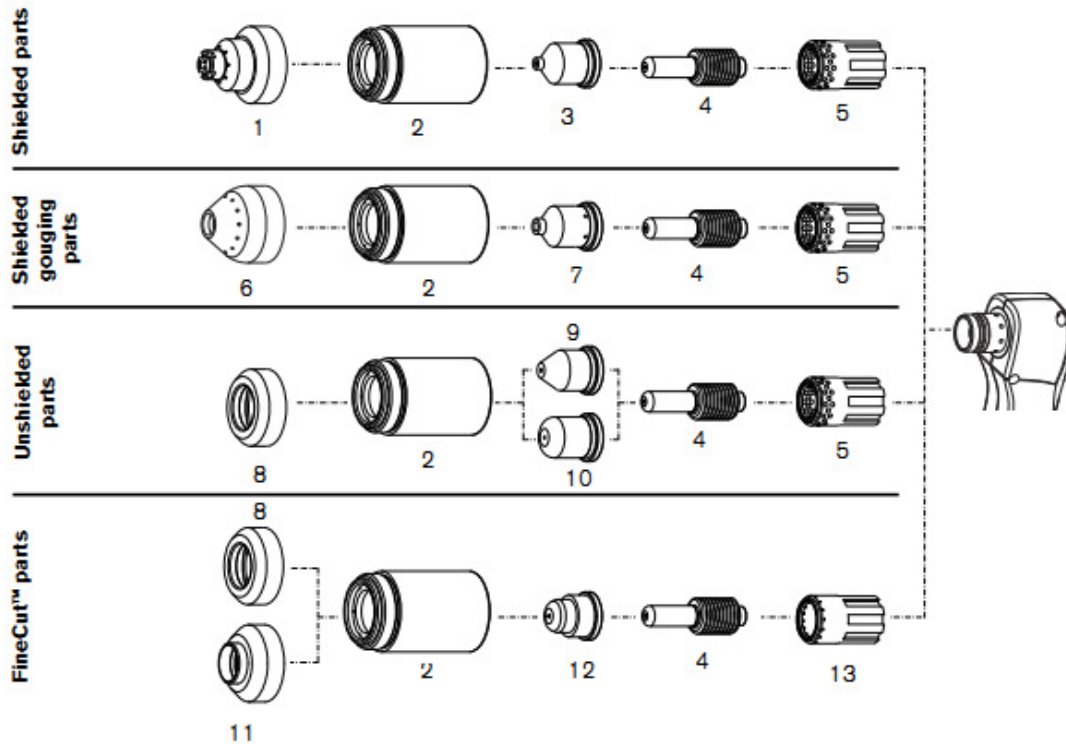
Powermax 1000



	ITEM NUMBER	PART NUMBER	DESCRIPTION	QUANTITY PER PACKAGE
Shielded parts	1	120929	Shield	1
	2	120928	Retaining cap	1
	3	120931	Nozzle, 80 amp	5
	3	120932	Nozzle, 40 amp	5
	4	120926	Electrode	5
	5	120925	Swirl ring	1
Shielded Gouging parts	6	120977	Shield, gouging	1
	2	120928	Retaining cap	1
	7	220059	Nozzle, gouging	5
	4	120926	Electrode	5
	5	120925	Swirl ring	1
Extended Unshielded parts	8	120979	Deflector	1
	2	120928	Retaining cap	1
	9	220007	Nozzle, extended, 80 amp	5
	10	220008	Nozzle, extended, 40 amp	5
	4	120926	Electrode	5
	5	120925	Swirl ring	1
FlareCut™ parts	8	120979	Deflector	1
	11	220925	Deflector, CE	1
	2	120928	Retaining cap	1
	12	220929	Nozzle, T80/T80/T100	5
	4	120926	Electrode	5
	13	220927	Swirl ring	1

ELITE SOLDAS

Powermax 1250



	ITEM NUMBER	PART NUMBER	DESCRIPTION	QUANTITY PER PACKAGE
Shielded parts	1	120929	Shield	1
	2	120928	Retaining cap	1
	3	120927	Nozzle, 80 amp	5
	3	120931	Nozzle, 60 amp	5
	3	120932	Nozzle, 40 amp	5
Shielded gouging parts	4	120926	Electrode	5
	5	120925	Swirl ring	1
	6	120977	Shield, gouging	1
	2	120928	Retaining cap	1
	7	220059	Nozzle, gouging	5
Unshielded parts	4	120926	Electrode	5
	5	120925	Swirl ring	1
	8	120979	Deflector	1
	2	120928	Retaining cap	1
	9	120980	Nozzle, extended, 80 amp	5
	9	220007	Nozzle, extended, 60 amp	5
FineCut™ parts	10	220006	Nozzle, extended, 40 amp	5
	4	120926	Electrode	5
	5	120925	Swirl ring	1
	8	120979	Deflector	1
	11	220325	Deflector, CE	1
FineCut™ parts	2	120928	Retaining cap	1
	12	220329	Nozzle	5
	4	120926	Electrode	5
	13	220327	Swirl ring	1